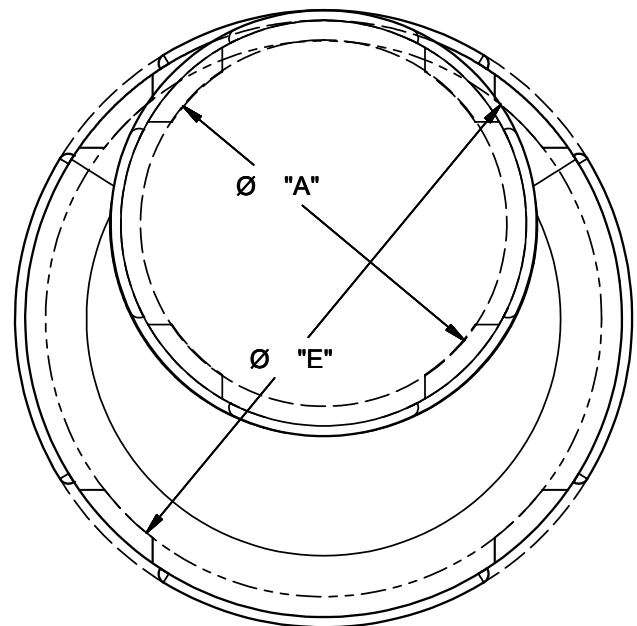
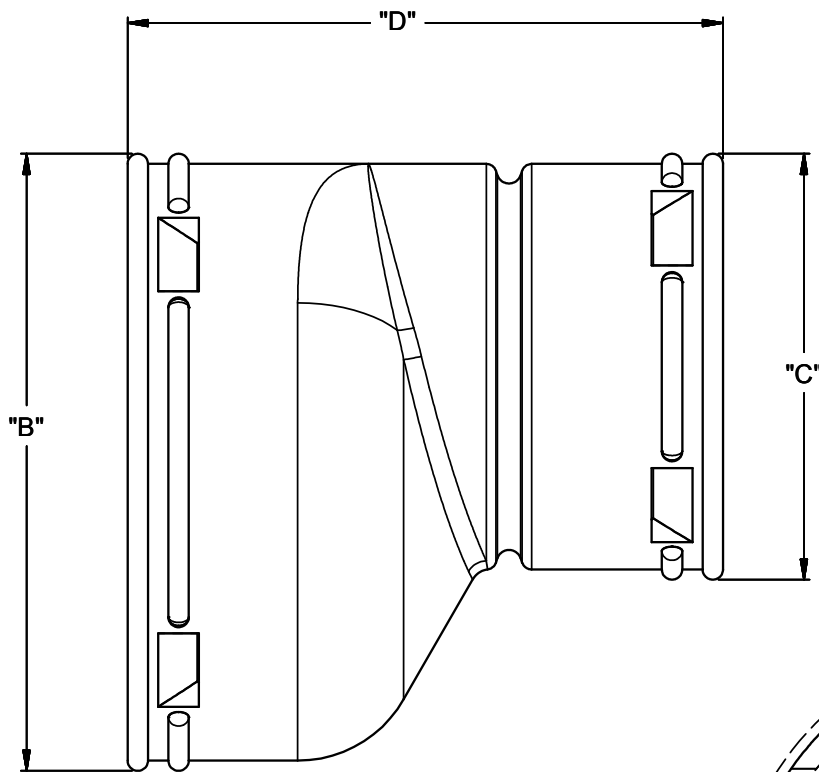


# REDUCER COUPLING - OFFSET | TECHNICAL INFORMATION

Part #	Size	Desc.	A	B	C	D	E
C-1043	4x3"	HxH	3.425	5.07	4.165	5.1	4.46
C-1064	6x4"	HxH	4.355	7.575	5.2	7.425	6.69



[www.normandyproducts.com](http://www.normandyproducts.com)

T: 800.322.9463 | F: 800.910.0134

324 Delaware Avenue | PO Box 446 | Oakmont PA 15139