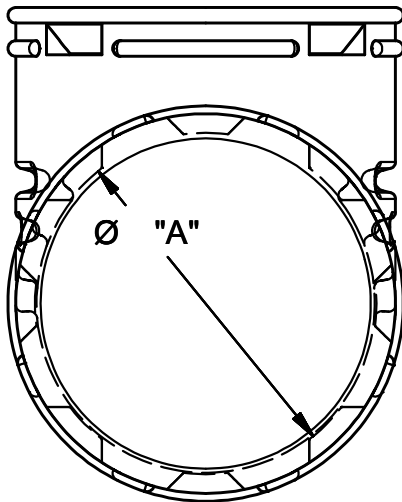
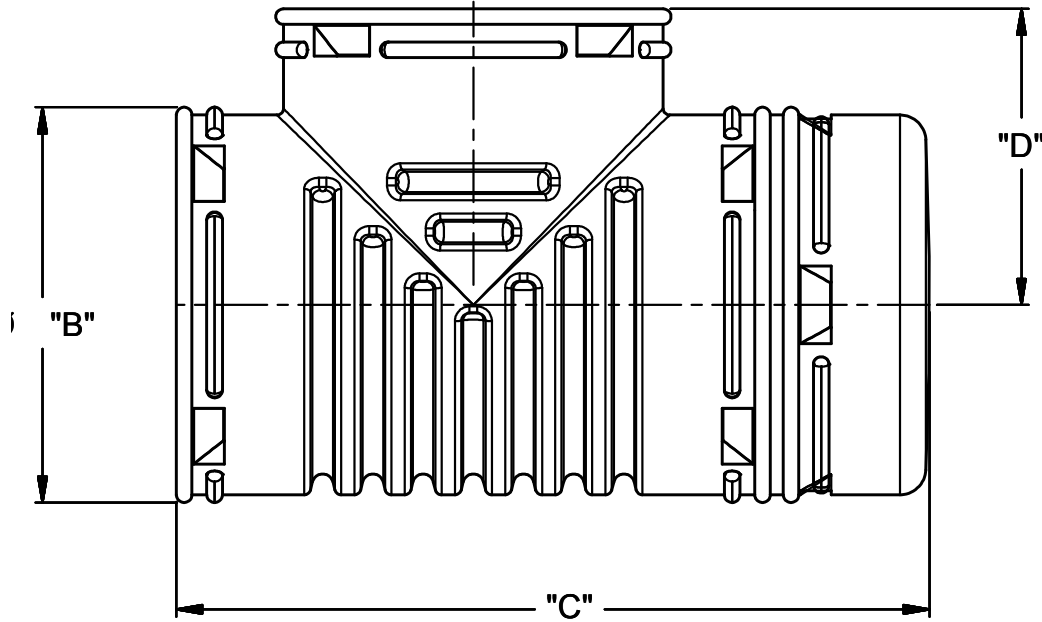


BLIND TEE

TECHNICAL INFORMATION

Part #	Size	Desc.	A	B	C	D
C-816	6"	HxH	6.375	7.500	14.250	5.750



www.normandyproducts.com

T: 800.322.9463 | F: 800.910.0134

324 Delaware Avenue | PO Box 446 | Oakmont PA 15139