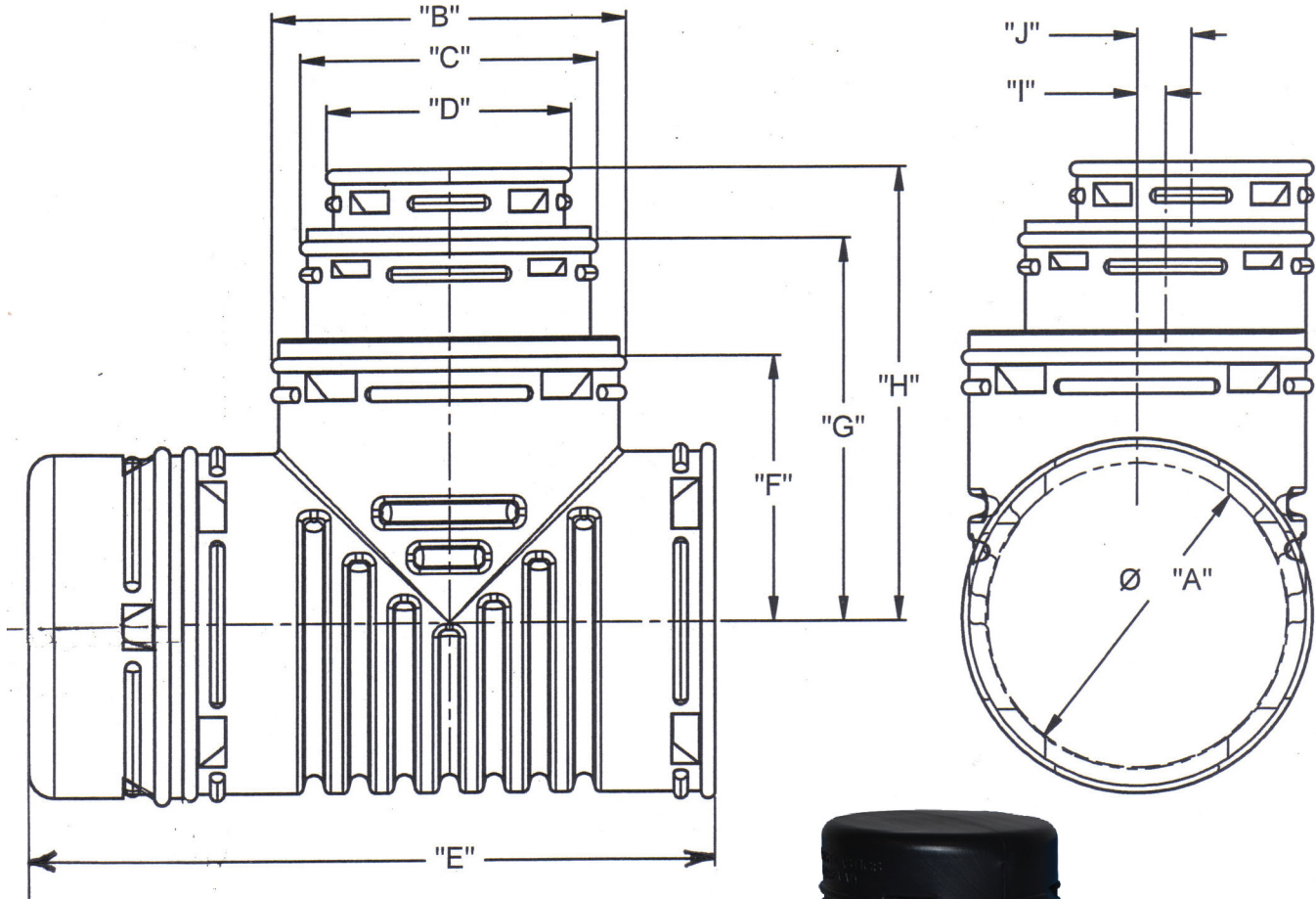


REDUCING BLIND TEE

TECHNICAL INFORMATION

Part #	Size	Desc.	A	B	C	D	E	F	G	H	I	J
C-8164	6x4"	HxHxH	6.375	7.500	6.250	5.250	14.375	5.750	8.250	9.750	.625	1.125



www.normandyproducts.com

T: 800.322.9463 | F: 800.910.0134

324 Delaware Avenue | PO Box 446 | Oakmont PA 15139