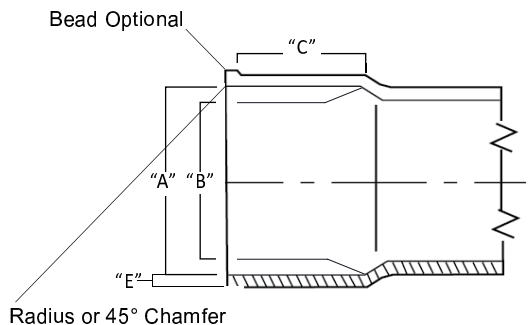


SANITARY TEE

TECHNICAL INFORMATION



Fittings Socket Dimensions - Inches

Nominal Size	A	B	C
3"	3.271±0.008	3.245±0.008	1.500

Pipe Dimensions Minimum Wall Thickness

Outside Diameter		SDR 35	
Nominal Size	Average	Tolerance on Average	E
3"	3.250	±0.008	0.100

Sanitary Tee

Sewer Hub x Sewer Hub x Sewer Hub

Part #	Size	Desc.	D	F	G	H
V-1103	3"	HxHxH	4.250	2.875	4.375	5.750



Normandy Products are proudly
made in the USA.

