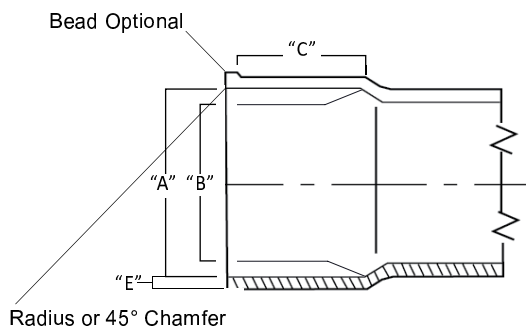


SANITARY TEE

TECHNICAL INFORMATION

Fittings Socket Dimensions - Inches

Nominal Size	A	B	C
4"	4.235±0.009	4.210±0.009	1.75
6"	6.305±0.011	6.270±0.011	3.000



Pipe Dimensions Minimum Wall Thickness

Pipe Dimensions		Minimum Wall Thickness	
Outside Diameter	SDR 35		
Nominal Size	Average	Tolerance on Average	E
4"	4.215	±0.009	0.120
6"	6.275	±0.011	0.180

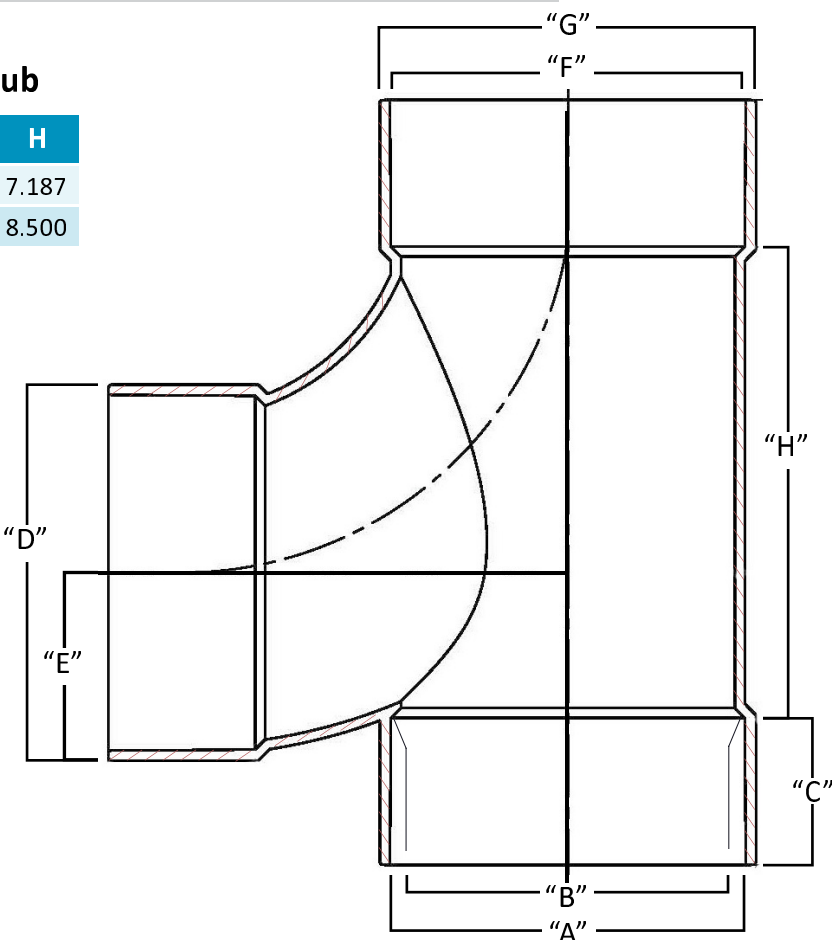
Sanitary Tee

Sewer Hub x Sewer Hub x Sewer Hub

Part #	Size	Desc.	D	F	G	H
V-1104	4"	HxHxH	5.437	3.687	5.437	7.187
V-1106	6"	HxHxH	9.000	5.187	8.040	8.500



**Normandy Products are proudly
made in the USA.**



www.normandyproducts.com

T: 800.322.9463 | F: 800.910.0134

324 Delaware Avenue | PO Box 446 | Oakmont PA 15139