

CROSS

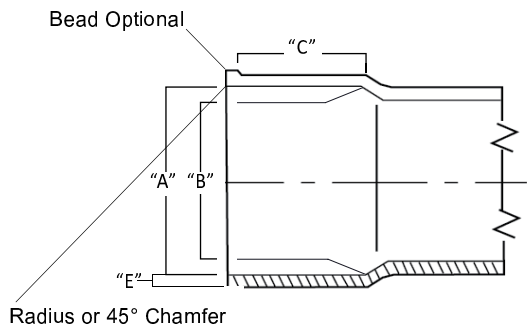
TECHNICAL INFORMATION

Fittings Socket Dimensions - Inches

Nominal Size	A	B	C
4"	4.235±0.009	4.210±0.009	1.75
6"	6.305±0.011	6.270±0.011	3.000

Pipe Dimensions Minimum Wall Thickness

Outside Diameter		SDR 35	
Nominal Size	Average	Tolerance on Average	E
4"	4.215	±0.009	0.120
6"	6.275	±0.011	0.180



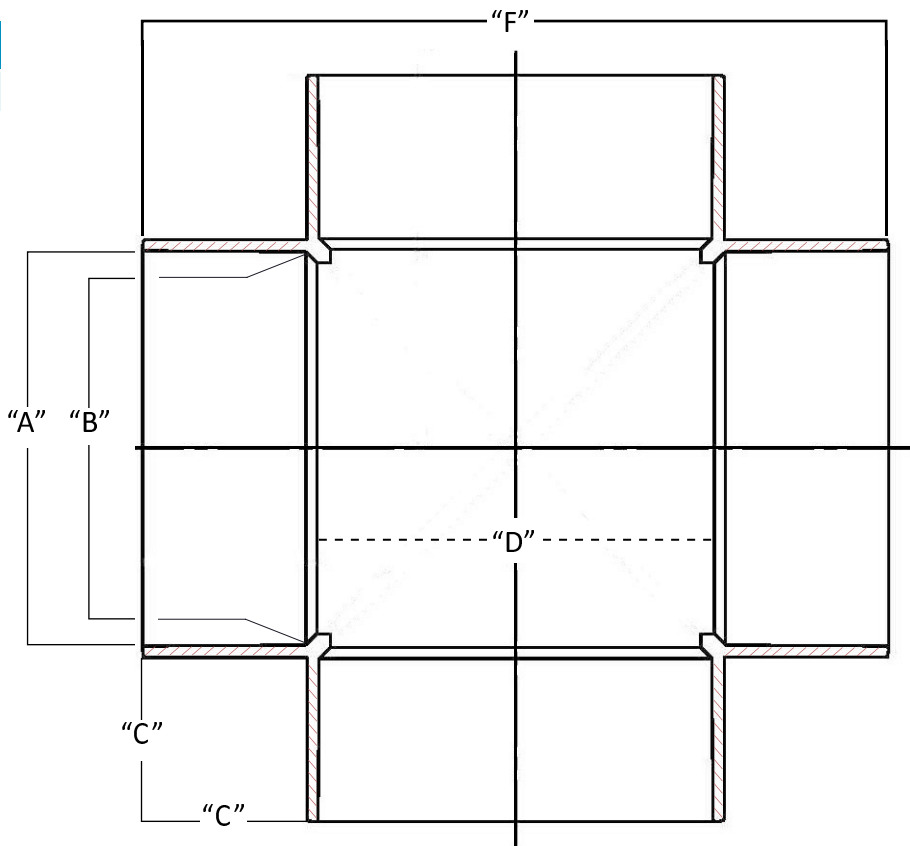
Cross

Hub x Hub x Hub x Hub

Part #	Size	Desc.	D	F
V-1304	4"	HxHxHxH	4.500	8.000



**Normandy Products are proudly
made in the USA.**



www.normandyproducts.com

T: 800.322.9463 | F: 800.910.0134

324 Delaware Avenue | PO Box 446 | Oakmont PA 15139