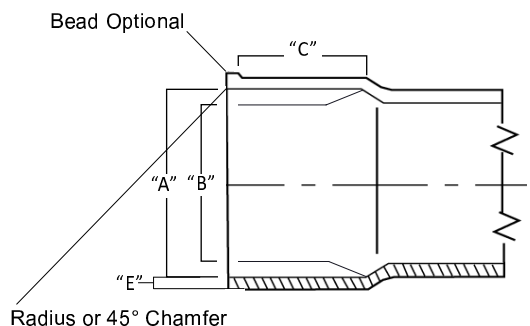


CAP
TECHNICAL INFORMATION
Fittings Socket Dimensions - Inches

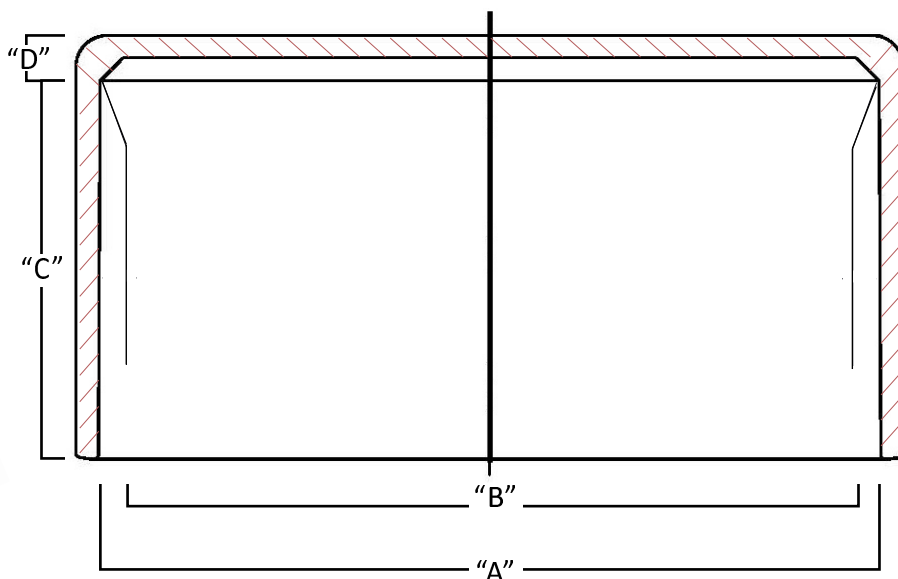
Nominal Size	A	B	C
4"	4.235±0.009	4.210±0.009	1.75
6"	6.305±0.011	6.270±0.011	3.000

Pipe Dimensions Minimum Wall Thickness

Outside Diameter		SDR 35	
Nominal Size	Average	Tolerance on Average	E
4"	4.215	±0.009	0.120
6"	6.275	±0.011	0.180


**Cap
Sewer Hub**

Part #	Size	Desc.	D
V-1404	4"	Cap	0.140
V-1406	6"	Cap	0.484



Normandy Products are proudly
made in the USA.

www.normandyproducts.com

T: 800.322.9463 | F: 800.910.0134

324 Delaware Avenue | PO Box 446 | Oakmont PA 15139