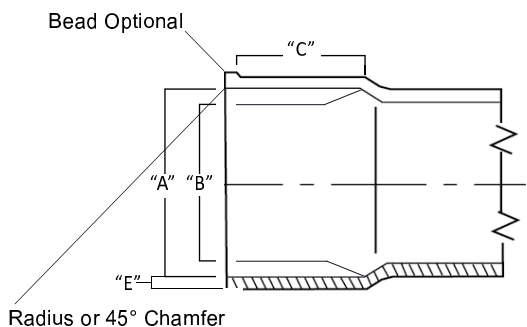


# OFFSET DOWNSPOUT ADAPTER | TECHNICAL INFORMATION

## Fittings Socket Dimensions - Inches

Nominal Size	A	B	C
4"	4.235±0.009	4.210±0.009	1.75
6"	6.305±0.011	6.270±0.011	3.000

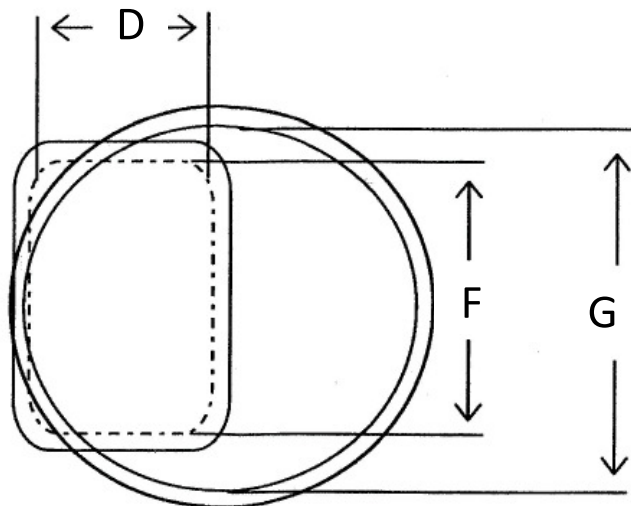


## Pipe Dimensions Minimum Wall Thickness

Outside Diameter		SDR 35	
Nominal Size	Average	Tolerance on Average	E
4"	4.215	±0.009	0.120
6"	6.275	±0.011	0.180

## Offset Downspout Adapter Downspout x Sewer Hub

Part #	Size	Desc.	D	F	G
V-1714	2x3x4"	DSxH	2.350	3.250	4.235
V-1715	3x4x4"	DSxH	3.350	4.250	4.235
V-1706	4x6x6"	DSxH	3.700	5.720	6.305



Normandy Products are proudly  
made in the USA.

[www.normandyproducts.com](http://www.normandyproducts.com)

T: 800.322.9463 | F: 800.910.0134

1150 Freeport Road | PO Box 38805 | Pittsburgh, PA 15238