

FITTING CLEANOUT

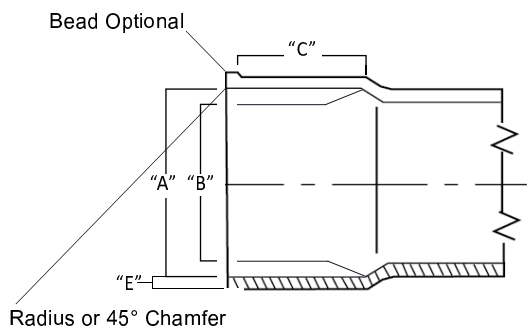
TECHNICAL INFORMATION

Fittings Socket Dimensions - Inches

Nominal Size	A	B	C
4"	4.235±0.009	4.210±0.009	1.75
6"	6.305±0.011	6.270±0.011	3.000

Pipe Dimensions Minimum Wall Thickness

Outside Diameter		SDR 35	
Nominal Size	Average	Tolerance on Average	E
4"	4.215	±0.009	0.120
6"	6.275	±0.011	0.180



Fitting Cleanout Sewer Spigot x FIP

Part #	Size	Desc.	D
V-1904	4"	Spg x FIP	0.125
V-1906	6"	Spg x FIP	0.218



**Normandy Products are proudly
made in the USA.**

