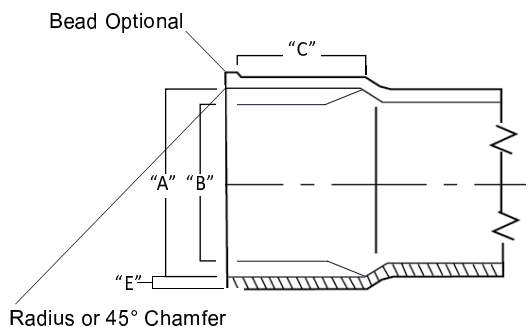


# ADAPTER COUPLING

# TECHNICAL INFORMATION

## Fittings Socket Dimensions - Inches

Nominal Size	A	B	C
3"	3.271±0.008	3.245±0.008	1.50
4"	4.235±0.009	4.210±0.009	1.75
6"	6.305±0.011	6.270±0.011	3.000



## Pipe Dimensions Minimum Wall Thickness

Nominal Size	SDR 35		
	Average	Tolerance on Average	E
3"	3.250	±0.008	0.100
4"	4.215	±0.009	0.120
6"	6.275	±0.011	0.180

## Adapter Coupling Sewer Hub x DWV Hub

Part #	Size	Desc.	D	F	G
V-2043	4x3"	H x DWV	1.000	1.500	3.500
V-2044	4x4"	H x DWV	0.300	1.750	4.520
V-2046	6x4"	H x DWV	0.290	1.750	4.520
V-2066	6x6"	H x DWV	0.125	3.000	6.647



V-2043



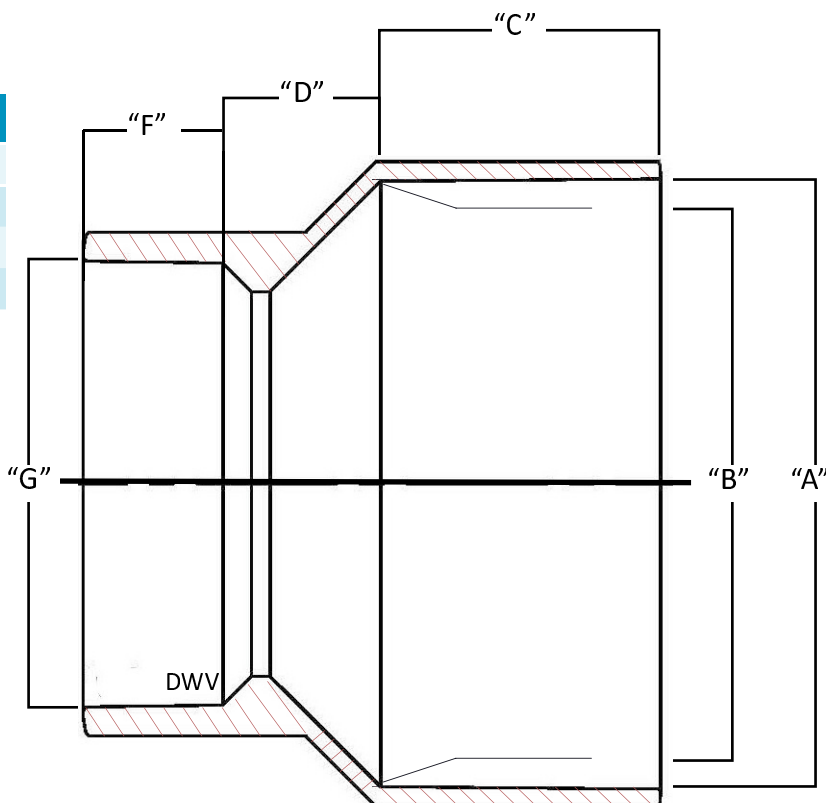
V-2044



V-2066



V-2046



**Normandy Products are proudly  
made in the USA.**

[www.normandyproducts.com](http://www.normandyproducts.com)

T: 800.322.9463 | F: 800.910.0134

324 Delaware Avenue | PO Box 446 | Oakmont PA 15139