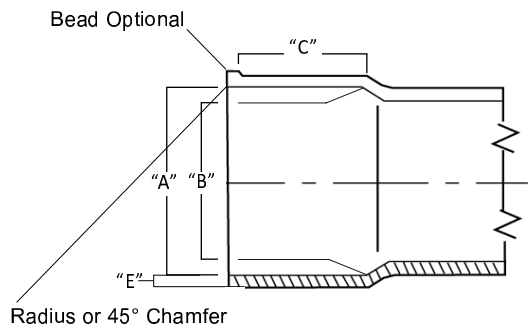


# 90° 1/4 BEND SHORT TURN | TECHNICAL INFORMATION



## Fittings Socket Dimensions - Inches

Nominal Size	A	B	C
3"	3.271±0.008	3.245±0.008	1.500

## Pipe Dimensions Minimum Wall Thickness

Outside Diameter		SDR 35	
Nominal Size	Average	Tolerance on Average	E
3"	3.250	±0.008	0.100

## 90° 1/4 Bend Short Turn Sewer Hub x Sewer Hub

Part #	Size	Desc.	D
V-3303	3"	HxH	1.656



Normandy Products are proudly  
made in the USA.

