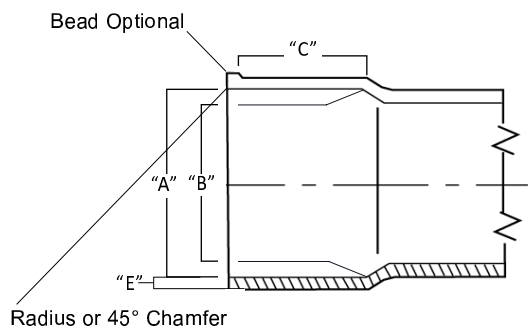


90° 1/4 BEND SHORT TURN | TECHNICAL INFORMATION



Fittings Socket Dimensions - Inches

Nominal Size	A	B	C
4"	4.235±0.009	4.210±0.009	1.75
6"	6.305±0.011	6.270±0.011	3.000

Pipe Dimensions Minimum Wall Thickness

Outside Diameter		SDR 35	
Nominal Size	Average	Tolerance on Average	E
4"	4.215	±0.009	0.120
6"	6.275	±0.011	0.180

90° 1/4 Bend Short Turn Sewer Hub x Sewer Hub

Part #	Size	Desc.	D
V-3304	4"	Hub x Hub	2.156
V-306	6"	Hub x Hub	3.437



Normandy Products are proudly
made in the USA.

