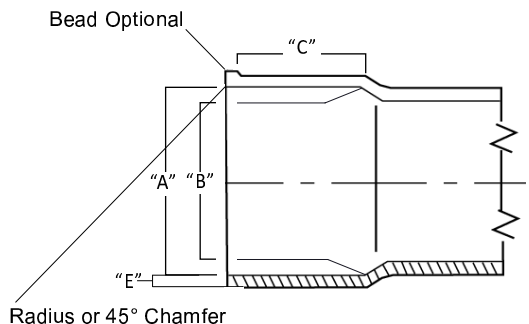


# 90° 1/4 BEND

## STREET ELL SHORT TURN

## TECHNICAL INFORMATION



### Fittings Socket Dimensions - Inches

Nominal Size	A	B	C
3"	3.271±0.008	3.245±0.008	1.50

Pipe Dimensions		Minimum Wall Thickness	
<i>Outside Diameter</i>		<i>SDR 35</i>	
Nominal Size	Average	Tolerance on Average	E
3"	3.250	±0.008	0.100

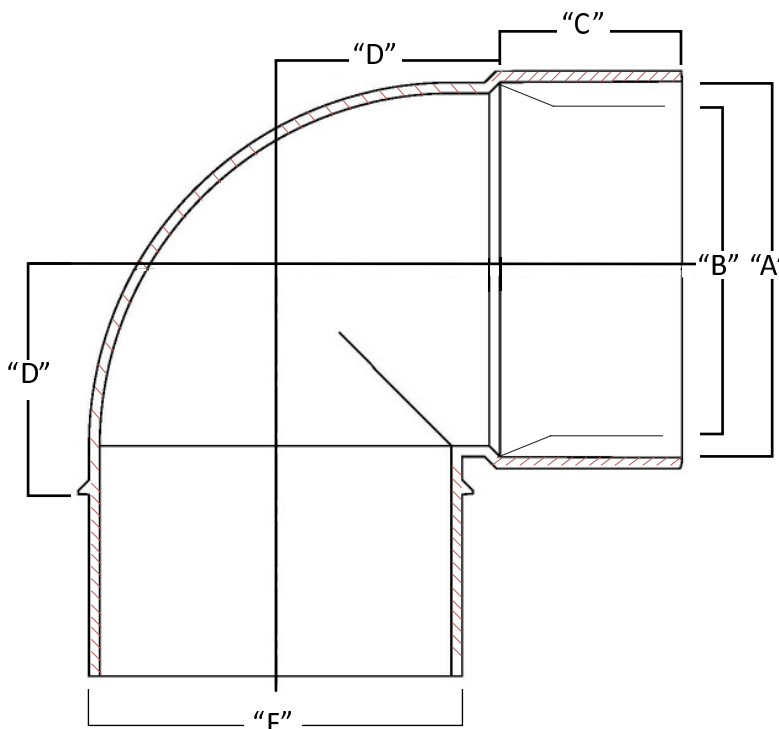
## 90° 1/4 Bend Street Ell Short Turn

### Sewer Hub x Sewer Spigot

Part #	Size	Desc.	D	F
V-3403	3"	HxSPG	1.656	--



Normandy Products are proudly  
made in the USA.



[www.normandyproducts.com](http://www.normandyproducts.com)

T: 800.322.9463 | F: 800.910.0134

324 Delaware Avenue | PO Box 446 | Oakmont PA 15139