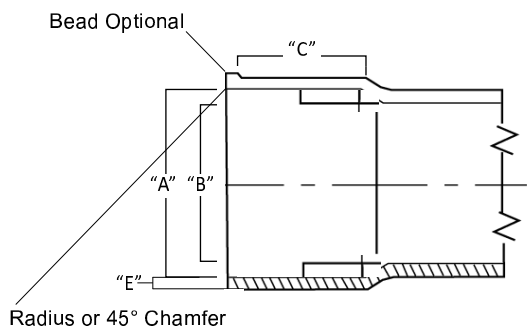


CORRUGATED ADAPTER

TECHNICAL INFORMATION

Fittings Socket Dimensions - Inches

Nominal Size	A	B	C
4"	4.235±0.009	4.210±0.009	1.75
6"	6.305±0.011	6.270±0.011	3.000



Pipe Dimensions Minimum Wall Thickness

Nominal Size	Outside Diameter		E
	Average	Tolerance on Average	
4"	4.215	±0.009	0.120
6"	6.275	±0.011	0.180

Corrugated Adapter Sewer Spg x Corrugated Insert

Part #	Size	Desc.	D
V-44*	4 x 4"	Spg x I	

*PVC Parts



**Normandy Products are proudly
made in the USA.**

www.normandyproducts.com

T: 800.322.9463 | F: 800.910.0134

324 Delaware Avenue | PO Box 446 | Oakmont PA 15139