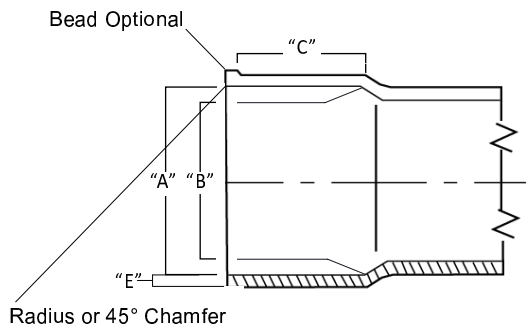


45° 1/8 BEND

TECHNICAL INFORMATION


Fittings Socket Dimensions - Inches

Nominal Size	A	B	C
3"	3.271±0.008	3.245±0.008	1.50

Pipe Dimensions Minimum Wall Thickness

Outside Diameter		SDR 35	
Nominal Size	Average	Tolerance on Average	E
3"	3.250	±0.008	0.100

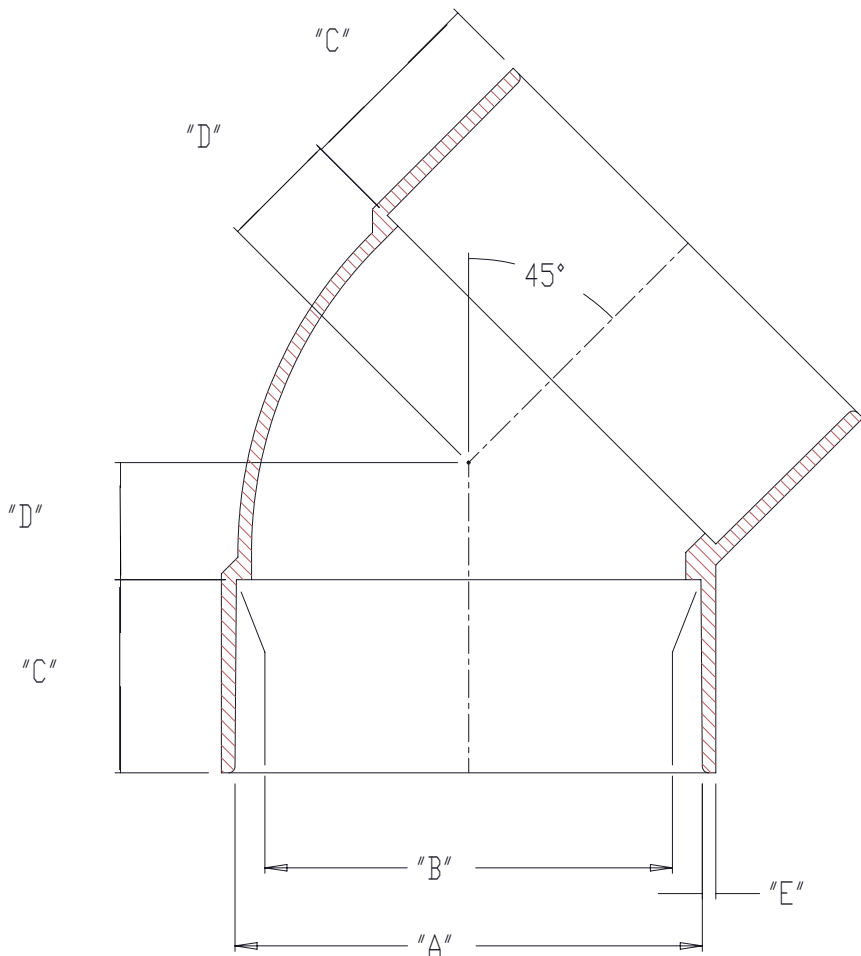
45° 1/8 BEND

Sewer Hub x Sewer Hub

Part #	Size	Desc.	D
V-503	3"	HXH	0.687



Normandy Products are proudly
made in the USA.


www.normandyproducts.com

T: 800.322.9463 | F: 800.910.0134

324 Delaware Avenue | PO Box 446 | Oakmont PA 15139