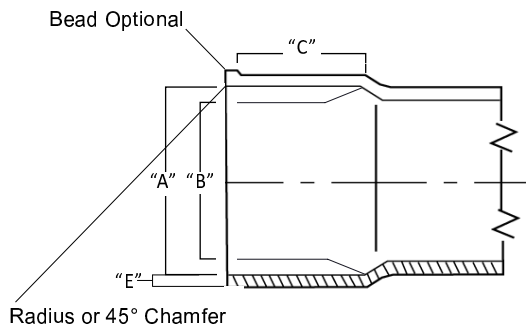


45° 1/8 BEND

TECHNICAL INFORMATION



Fittings Socket Dimensions - Inches

Nominal Size	A	B	C
4"	4.235±0.009	4.210±0.009	1.75
6"	6.305±0.011	6.270±0.011	3.000

Pipe Dimensions Minimum Wall Thickness

Pipe Dimensions		Minimum Wall Thickness	
Outside Diameter	SDR 35		
Nominal Size	Average	Tolerance on Average	E
4"	4.215	±0.009	0.120
6"	6.275	±0.011	0.180

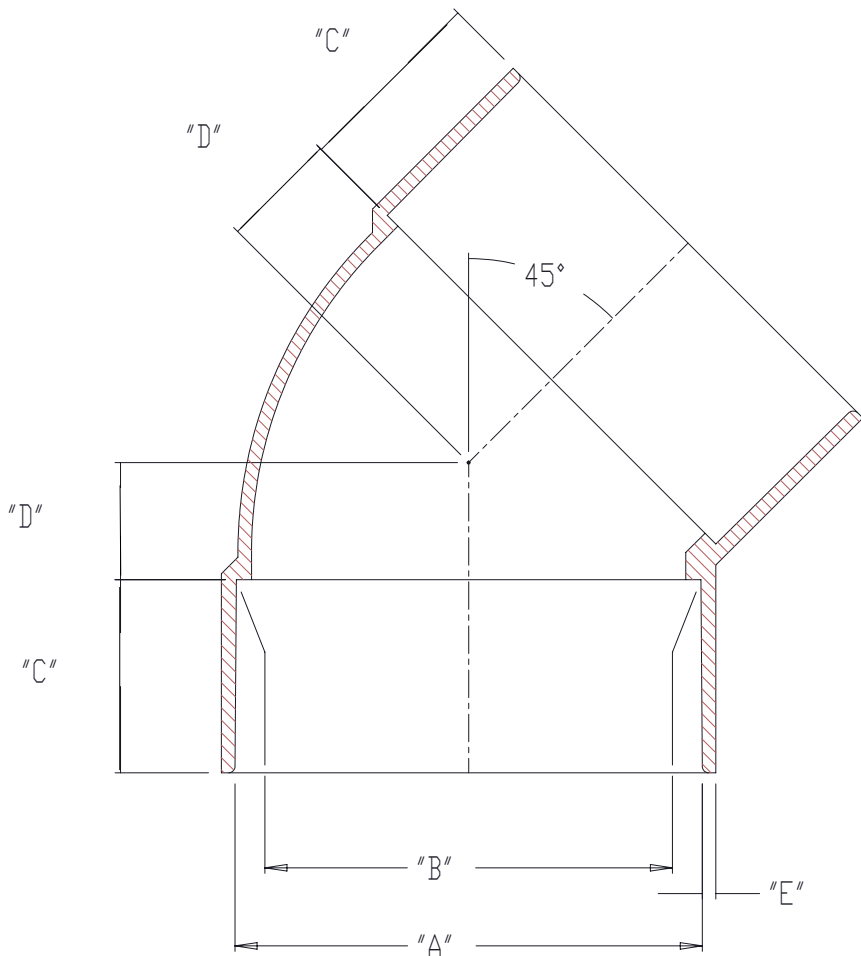
45° 1/8 BEND

Sewer Hub x Sewer Hub

Part #	Size	Desc.	D
V-504	4"	HxH	1.062
V-506	6"	HxH	1.375



Normandy Products are proudly made in the USA.



www.normandyproducts.com

T: 800.322.9463 | F: 800.910.0134

324 Delaware Avenue | PO Box 446 | Oakmont PA 15139