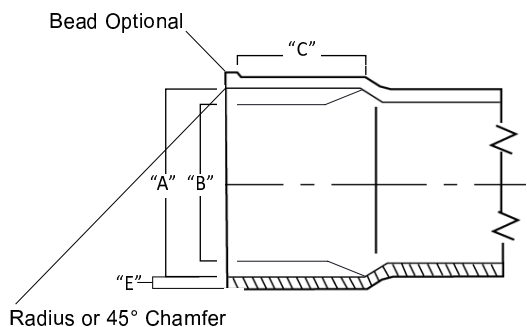


TEE
TECHNICAL INFORMATION
Fittings Socket Dimensions - Inches

| Nominal Size | A | B | C |
|--------------|-------------|-------------|-------|
| 4" | 4.235±0.009 | 4.210±0.009 | 1.75 |
| 6" | 6.305±0.011 | 6.270±0.011 | 3.000 |

Pipe Dimensions Minimum Wall Thickness

| Outside Diameter | | SDR 35 | |
|------------------|---------|----------------------|-------|
| Nominal Size | Average | Tolerance on Average | E |
| 4" | 4.215 | ±0.009 | 0.120 |
| 6" | 6.275 | ±0.011 | 0.180 |

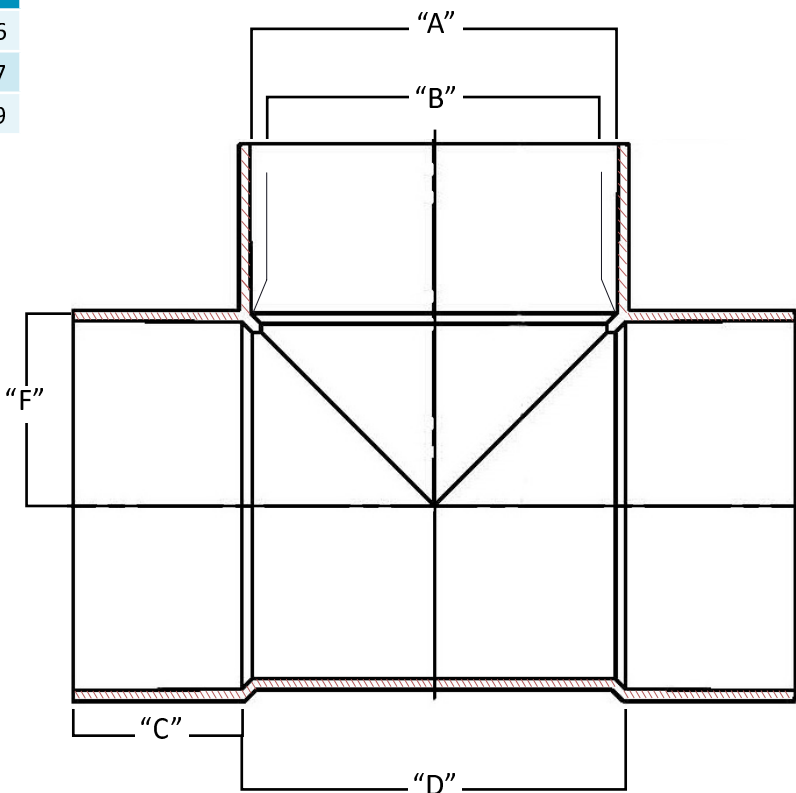

Tee
Sewer Hub x Sewer Hub x Sewer Hub

| Part # | Size | Desc. | D | F |
|--------|------|-------|-------|-------|
| V-804 | 4" | HxHxH | 4.313 | 2.156 |
| V-806 | 6" | HxHxH | 6.375 | 3.187 |
| V-8064 | 6x4" | HxHxH | 6.375 | 3.219 |



V-8064

Normandy Products are proudly
made in the USA.


www.normandyproducts.com

T: 800.322.9463 | F: 800.910.0134

324 Delaware Avenue | PO Box 446 | Oakmont PA 15139