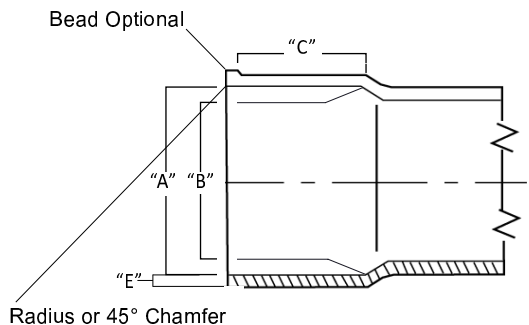


45° Wye

TECHNICAL INFORMATION



Fittings Socket Dimensions - Inches

Nominal Size	A	B	C
3"	3.271±0.008	3.245±0.008	1.500

Pipe Dimensions Minimum Wall Thickness

Pipe Dimensions		Minimum Wall Thickness	
<i>Outside Diameter</i>		<i>SDR 35</i>	
Nominal Size	Average	Tolerance on Average	E
3"	3.250	±0.008	0.100

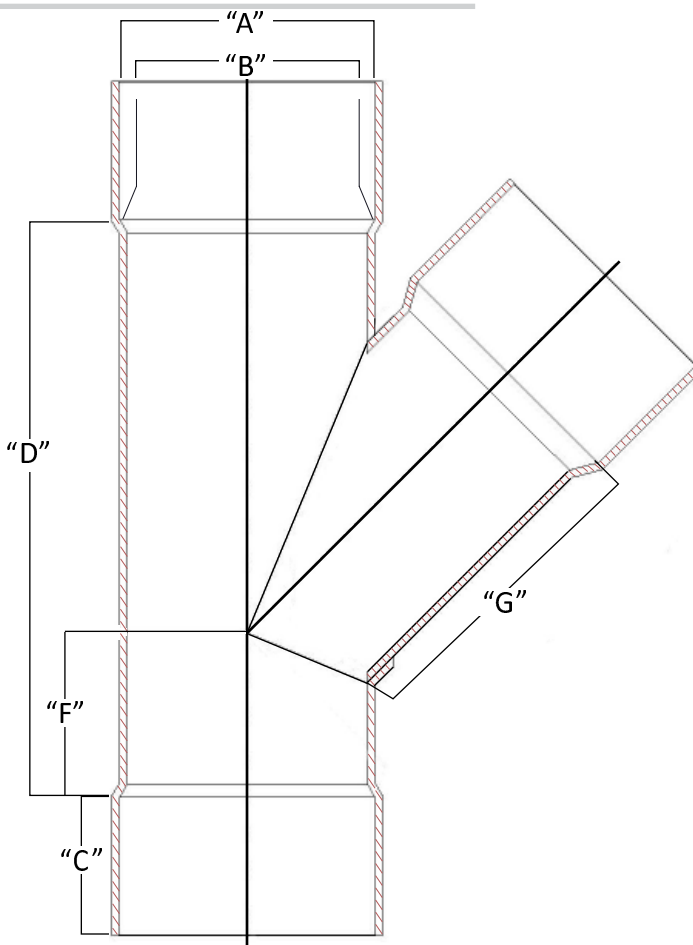
45° Wye

Sewer Hub x Sewer Hub x Sewer Hub

Part #	Size	Desc.	D	F	G
V-903	3"	HxHxH	4.875	0.750	4.125



**Normandy Products are proudly
made in the USA.**



www.normandyproducts.com

T: 800.322.9463 | F: 800.910.0134

324 Delaware Avenue | PO Box 446 | Oakmont PA 15139